

- **Measurements of:**
relative intensity of precipitation
present liquid or solid precipitation
- **Elimination of:**
temperature changes
dirt on the sensing element
- **Output signals:**
logical output 0/1
optical isolated serial RS 485
analog output 0÷1V
- **Easy maintenance**
- **Long-term stability**
- **All parameters are user configurable**
- **Industrial construction**
- **Low-power consumption**
- **Wide-range voltage supply**
- **Heating for icing elimination included**



Specification:

- measurement

Measuring element	capacitance transducer
	φ70mm
Resolution	dew leaf
Precipitation	0÷100%
Rain duration	0÷60s

- mechanical

Dimension	φ80x50mm
Weight	0.35kg
Length of terminal cable	3m

- electrical & interface

Power supply	10÷30VDC
Power consumption	max. 30mA
Heating	8÷30V
	30Ω/15W
RS485:	optical isolated, BR 9600Bd
Logical output	electronic relay,
	$U_{max}=30V, I_{max}=300mA$
Analog output	(0 ÷ 1)V ~ 0÷100% of range

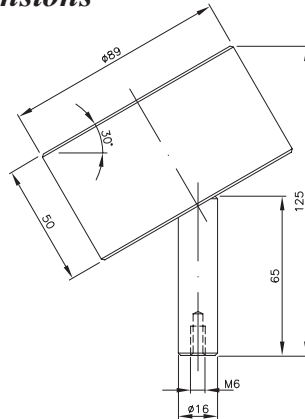
- environmental

Operating temperature range	-35°C ÷ +70°C
Operating humidity range	0 ÷ 100%
Storage temperature range	-50°C ÷ +85°C
Environment	IP66

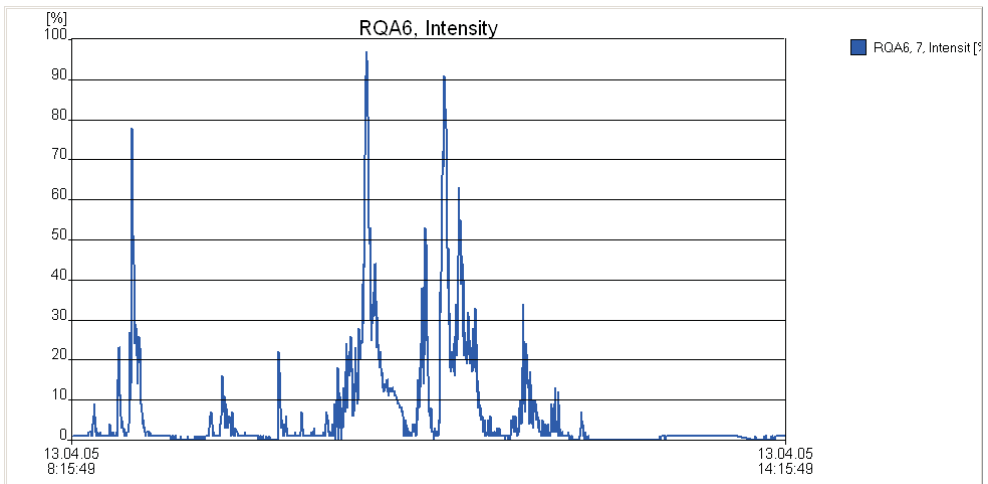
Wiring

signal	name	colour
positive power supply	Vcc	red
negative power supply	GND	blue
positive heating power	Vheat+	viola
negative heating power	Vheat-	black
positive data RS485	A485	yellow
negative data RS485	B485	green
relay A	ReA	pink
relay B	ReB	brown
analog output	Uout	white
output ground	GNDout	grey

Dimensions



Sample measurement



MPS systém, s.r.o.

Pri vinohradoch 326
831 06 Bratislava
Slovakia

+421 2 4488 9486
+421 905 602 171
✉ schwarz@mps-system.sk
🌐 www.mps-system.sk