

CC15

Relative Humidity and Temperature Controller



- Replaceable Sensor
- Replaceable Sensor Filter
- Calibrated Single Chip Temp + Humidity Sensor
- Approved Capacitive Sensor Technology
- High Output Accuracy
- 2X4 Digit Numeric Display
- 4 Led Indicator
- 2 Analog Output (0/4-20mA, 0/2-10V)
- 2 Programmable Semi Conductor Relay
- RS485 Communication Unit
- 100-240Vac Universal or 24Vac/dc Power Supply
- 40°C...+120°C Sensor Working Temperature Range
- Isolation Between Input/Output and Power Supply Units
- Temperature, Relative-Humidity , Dew Point Measure and Control
- Calibration Ability of Temp. , Relative Humidity Selection from two points
- Able to Set Sensor Heating Function
- Sensor Error Detection and Routing
- 4 Different Relay Function for Control or Alarming
- Standard MODBUS RTU Communication Protocol
- Adjustable Scale for Analog Output
- 1sec Sampling and 100ms Control Period
- IP65 Protection Class (Except Sensor)
- 3 Years Warranty for Manufacturing Errors

AREAS OF USAGE

- Poultry Farms and Poultry Applications
- Greenhouse Applications
- Food Factories and Food Stores
- Cold Rooms
- Pharmaceutical Factories - Medical Stores
- Climate Cabins and Rooms
- Climate Automation and Air Condition Applications
- HVAC Applications
- Textile Applications

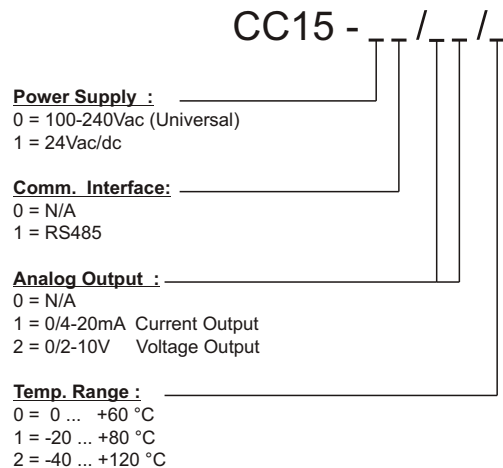
CONNECTION DIAGRAM

01	02	03	04	05	06	07	08	09	10	11	12
Data B	Data A	GND	Rly 1	COM	Rly 2	Out 1	Out -	Out 2	NC	L +	I -
Communication Interface			Semi Conductor Relay Output			Analog Outputs		Power Supply			

TECHNICAL SPECIFICATIONS

Power Supply	100-240Vac/dc : +%10 -%15	24Vac/dc : +%10 -%20	
Power Consumption	4W,6VA		
Analog Outputs	0/4-20mA (RL ≤ 500Ω)	0/2-10V (RL ≥ 1MΩ)	
Semi Conductor Relay Output	250Vac, 80mA, NO Contact		
Measure Range	Humidity : 0 ... 100 %RH	Temperature : -40 ... +120 °C	
Resolution	Humidity : 0,1%RH	Temperature : 0,1°C	
Accuracy (Typ)	Humidity : ±3 %RH (20%RH...80%RH) ±5 %RH (0%RH...100%RH)	Temperature : ± 1,5°C (-10°C ... +60°C)	
Repeatability	Humidity : ± 0,1%RH	Temperature : ± 0,1°C	
Sampling Period	1sec		
Working Temperature	Device : -20°C ... +80°C	Sensor : -40°C...+120°C	
Storage Temperature	-20°C ... +80°C		
Memory	100 Years, 100.000 Renewal		
Protection Class	IP65 (Except Sensor)		
Dimensions	Width : 115mm	Height : 87mm	Depth : 56mm
Cable Length	2 meter		
Weight	220gr		

PRODUCT CODE



Doc No: CC15TB03E

TEKON

www.tekon.com.tr